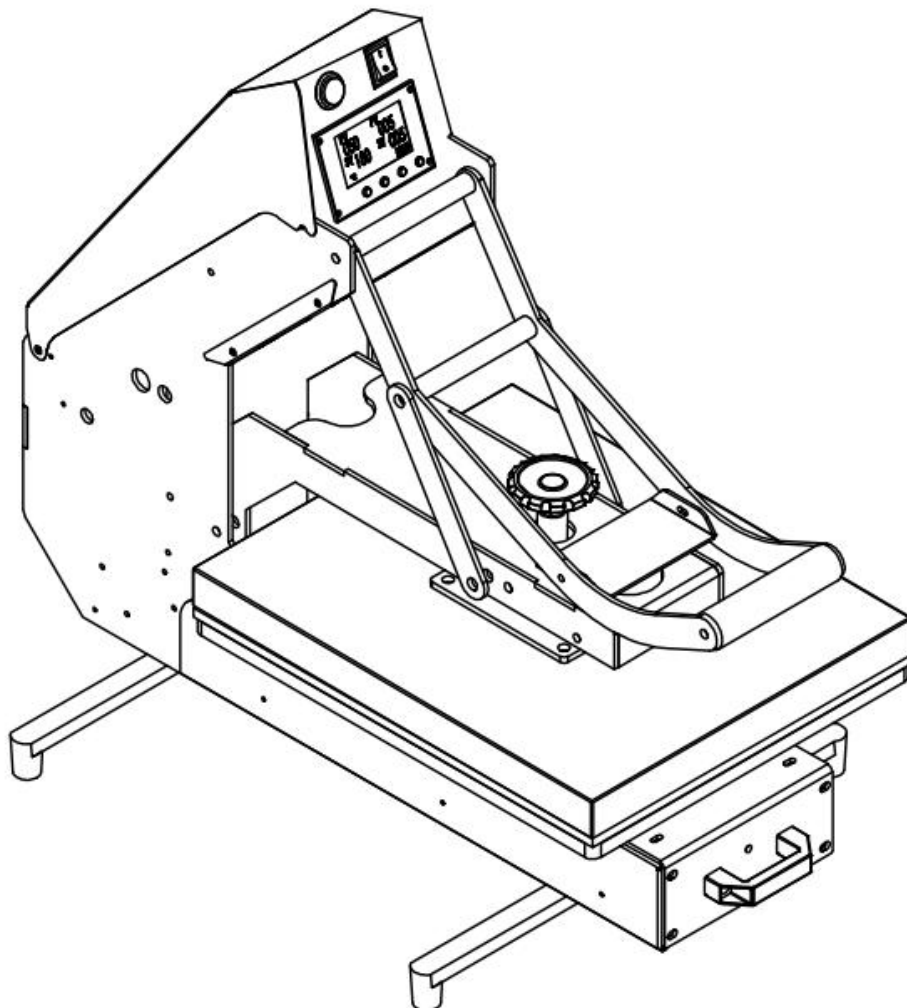


SENKO Auto Open Heat Press Manual

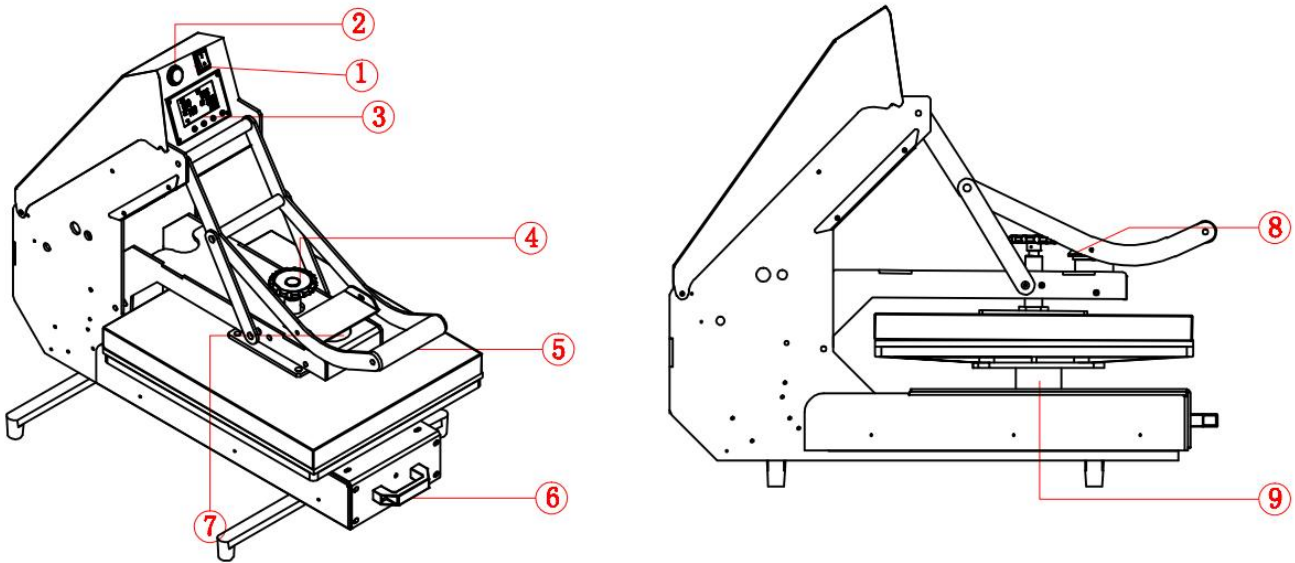
Model NO.: SENKO-20/30



CONTENTS

I. Assembly Drawing	1
II. Technical Parameters	2
III. Operation Process	3-4
IV. Maintenance	5
V. Trouble Shooting For Transfer Print Quality	5
VI. Circuit Diagram	6
VII. Explosion View	7-8

I. Assembly Drawing



- | | | |
|---------------------|----------------------------|----------------------|
| ① Power Switch | ② Emergency Stop Button | ③ Digital Controller |
| ④ Pressure Adjuster | ⑤ Handle Bar Grip | ⑥ Draw-out Handle |
| ⑦ Electromagnet | ⑧ Electromagnet Suck Plate | ⑨ Support Shaft |

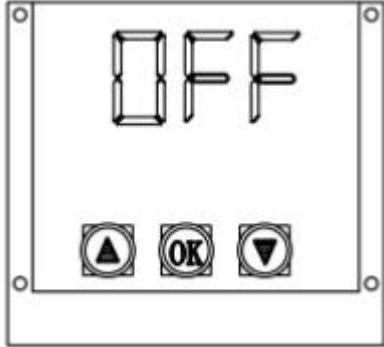
II. Technical Parameters

1. Model No.: SENKO-20/30
2. Machine Dimensions: 950*750*450mm
3. Printable Articles Max Size: 400*500*30mm
4. Voltage: 220V/1Phase;120V/1Phase
5. Power for machine: 20"x32" platen:220V/2.0KW; 120V/1.8KW
16"x20" platen: 220V/1.8KW; 120V/1.75KW;
Power for heating tube: 1.8KW*1
6. Recommend Setting: 30~280s; 180~210°C
Time Range: 0~999s
7. Packing size: 105*85*55cm

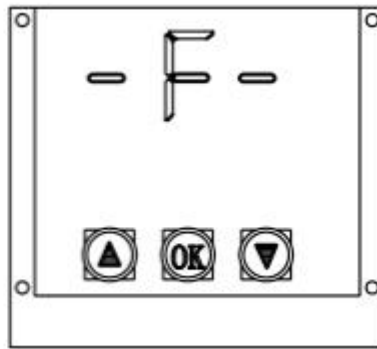
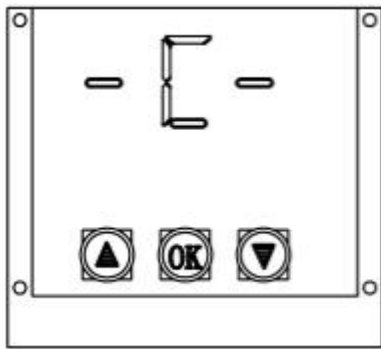
III. Operating Process

GY-04 Operation Instruction

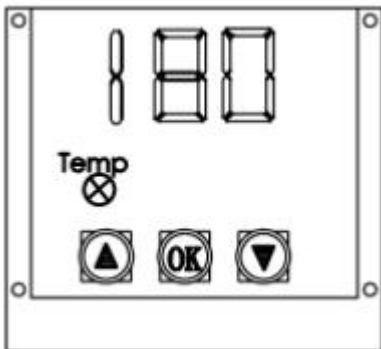
1. When you turn on the heat press machine, the display shows “OFF”.



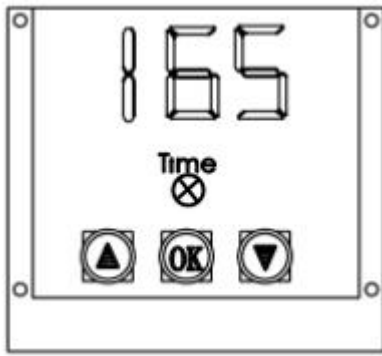
2. Press the “OK” button will show the degrees Celsius “C”. You could use the Up or Down button to switch between degrees Celsius and degrees Fahrenheit.



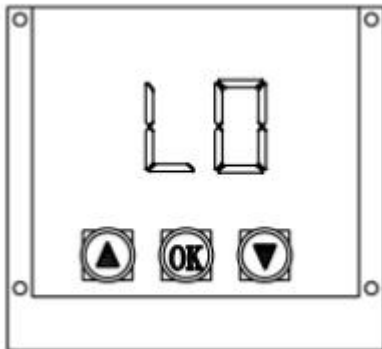
3. Press “OK” button to enter TEMPERATURE setting. When the TEMP indicator blinks, use Up/Down button to set the required temperature. (Temperature adjustable range: 100-225 C/212-437 F)



4. Press “OK” button to enter TIME setting. When the TIME indicator blinks, use Up/Down button to set the required time. (Time adjustable range: 0-999S)



5. After finishing above-mentioned settings, press “ OK ” button to enter the heating mode. If the temperature is below 100C/212F, then the display reads “LO”(low temperature).



6. If you need to adjust the settings during the heating mode, you could repeat step 2 to step 5 to do the adjustment.

7. When the heat platen has settled into its desired temperature, press down the heat platen, then the timer will automatically start counting down and CD-L indicator blinks. The timer will begin to sound once it reaches 3 seconds. The warning is meant to prepare the user to release the handle once the time reaches 0 seconds. When the handle is lifted, the timer will automatically sound off.

8. Long press the digital controller for 4-5 seconds, then can enter the engineering model:

P-5: Temperature Difference Calibration Mode, calibration range is -99 to +99

P-6: Intermittent heating in advance before setting, setting range is from 1 to 20 Sec.

This function is to set the heating time and pause time after the machine enter the constant temperature mode. The setting parameters is different according to different size of heat platen.

P-7: Constant temperature in advance before setting, setting range is from 1 to 9 degree.

This function is to set when the machine will enter the constant temperature mode. You could set a temperature value that you want to enter to constant temperature before it reach the setting temperature. For example, the setting temperature is 180°C and P-7 is 10°C, then when the temperature reaches 170°C, it will enter the constant temperature mode, heating and pause in cycle to avoid overheat.

P-8: Constant temperature mode, when reach the setting temperature, the machine will stop heating for 1 seconds then will keep heating for few seconds, setting range is from 0 to 9 Sec.

P-9: Countdown mode: “No”means when the machine work, it will count down, “Yes”means when reach the setting temperature, the machine will enter the countdown mode.

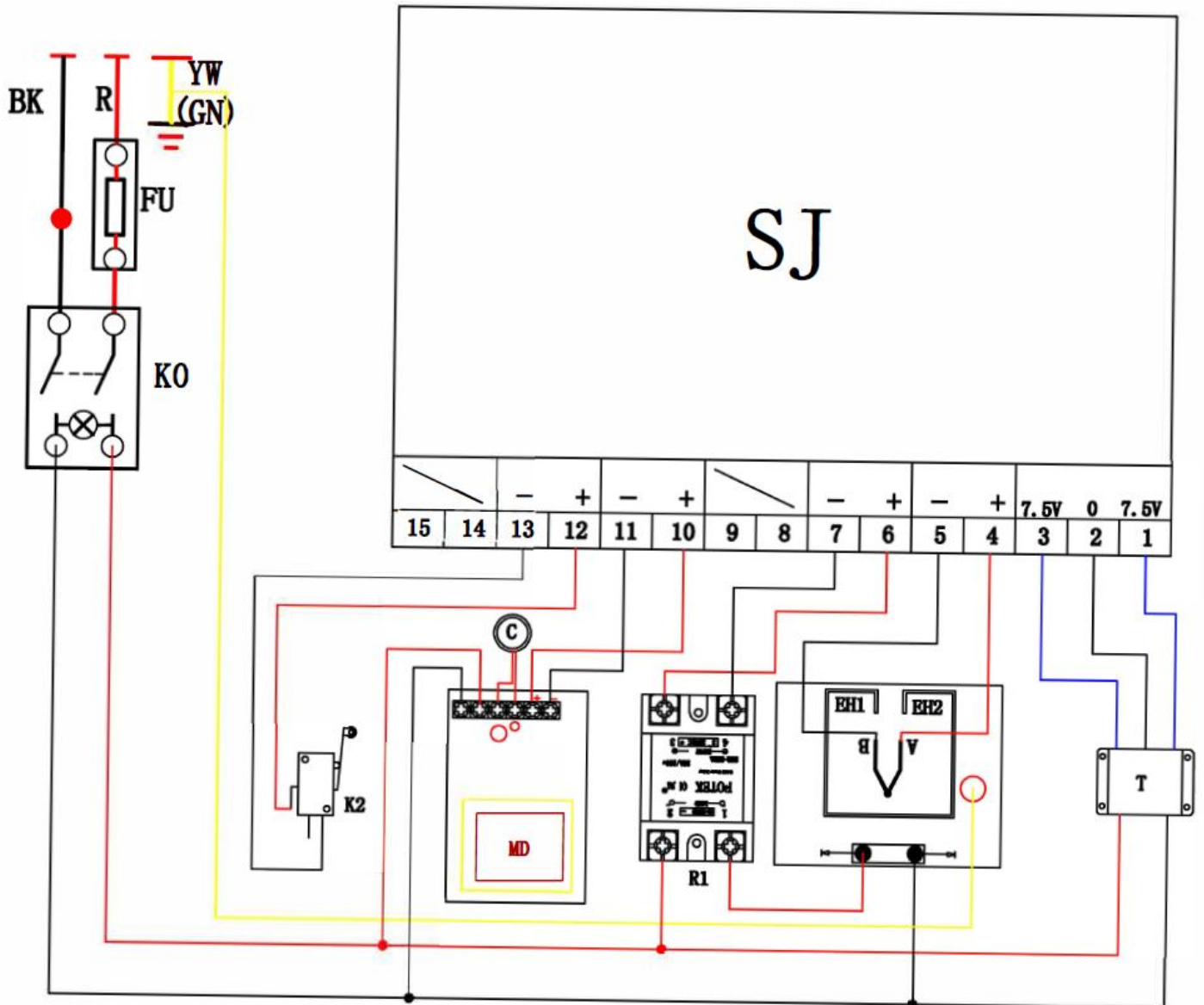
IV. Maintenance

1. In order to prolong the machine service life, please add the lubrication oil on the joints regularly .
2. Turn off the power before changing spare parts. In order to ensure the accuracy of the parameter of GY-04 controller. please re-set the time and temperature
3. To avoid damage, please keep the heaters well when change the spare parts

V. Trouble Shooting For Transfer Print Quality

1. After changing heat platen, time and temperature showing become abnormal:
Solution: Reset time/temperature according to the manual
2. If the color is not as bright as photo after printing, please try below ways:
Solution: A. Adding transfer time. B. Increasing transfer temperature.
3. If the print color is too brown or the transfer paper is almost burnt:
Solution: Please reduce the setting temperature
4. If print color is different/ partial transfer effect is not good enough:
Solution: A. Increase the pressure. B. Extend the transfer time. C. Change the sublimation paper.
5. If the machine is getting abnormal, please contact us to solve the problems.

VI. Circuit Diagram



K0 : Power Switch

C: Magnet

K2: countdown switch

T: Transformer

FU: Fuse (15A/25V)

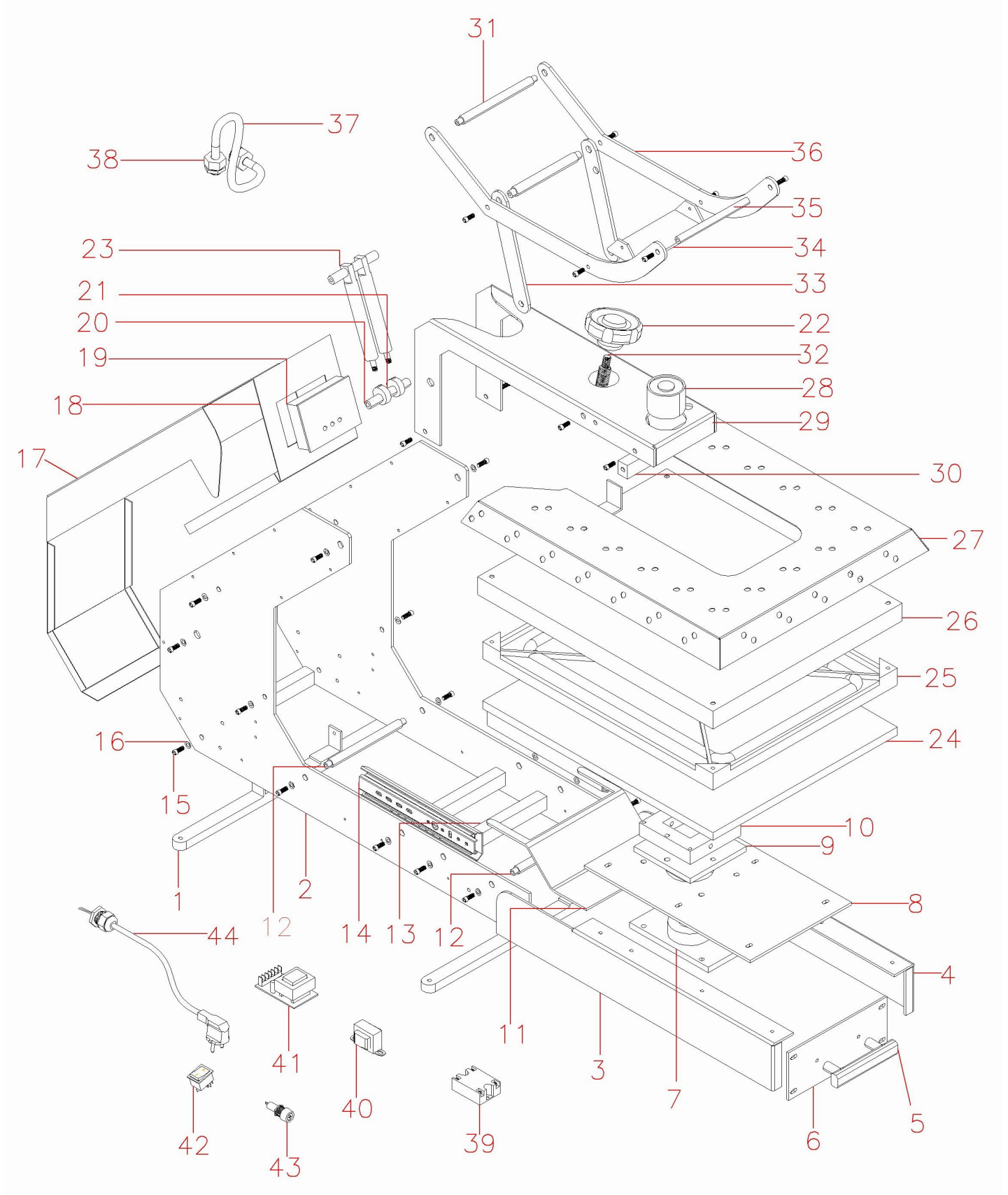
R1 :Relay

EH1 EH2 :Heating Pipe

MD :Magnet Driver

SJ: Thermostat

VII. Explosion View



Serial No.	Part Name	Qty
1	Machine Foot	2
2	Machine Frame	2
3	Slide Rail Connection Plate-Left	1
4	Slide Rail Connection Plate-Right	1
5	Draw-out Handle	1
6	Front Plate	1
7	Adapter Plate	1
8	Adapter Plate	1
9	Plate Connector	1
10	Plate Connector	1
11	Fixing Part	1
12	Connecting Shaft	1
13	Connection Part	2
14	Slide Rail	2
15	Hexagon Socket Head Cap Screw	26
16	Gasket	30
17	Back Cover	1
18	Electrical Parts Bracket	1
19	Digital Controller	1
20	Connecting Spindle	1
21	Gas Spring Fitting	2
22	Pressure Adjust Knob	1
23	Gas Spring	2

Serial No.	Part Name	
24	Under Plate	1
25	400x500 Heat Platen	1
26	400x500 Heat Platen Cover	1
27	Anti-scald Protect Cover	1
28	Electromagnet	1
29	Davit Arm	1
30	Adapter Plate	1
31	Connecting Shaft	1
32	Pressure Adjuster Spindle	1
33	Connecting Piece	2
34	Inserted Pin	1
35	Handle Bar Grip	1
36	Handle Frame	2
37	Serpentuator	1
38	Serpentuator Connector	2
39	Solid State Relay	1
40	Transformer	1
41	Electromagnet Driver Board	1
42	Power Switch	1
43	Fuse	1
44	Power Cord	1